

FELSS

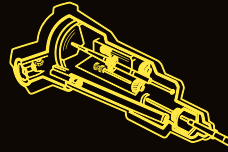
The smarter way of forming.



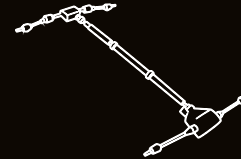
E-Mobility



Steering



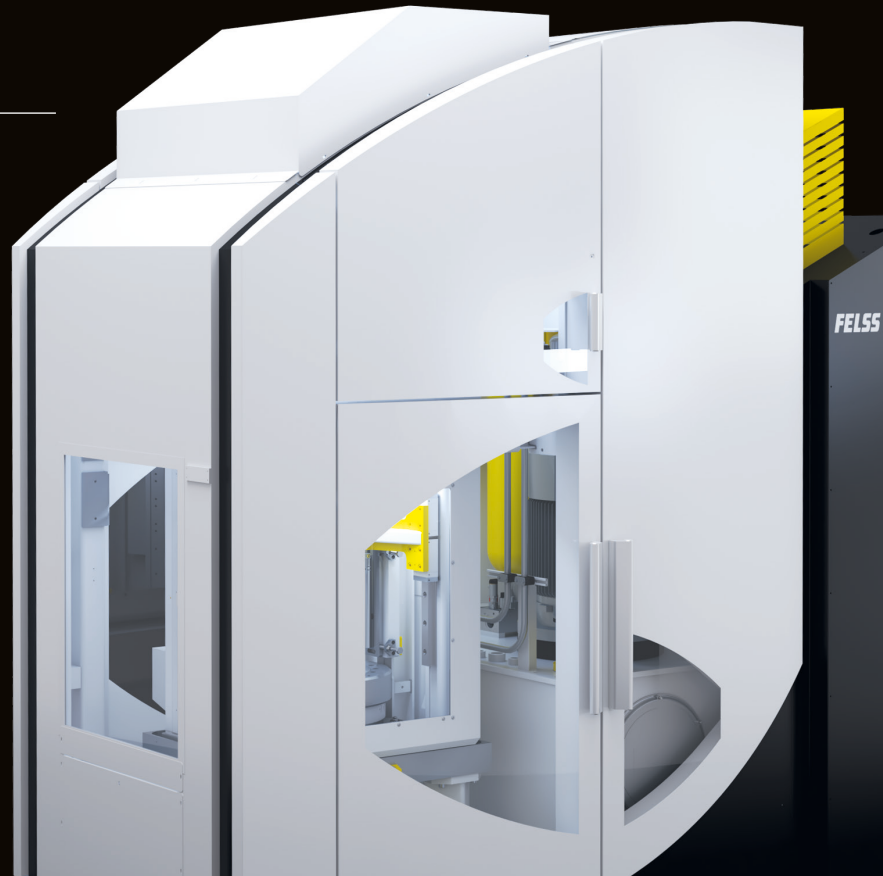
Transmission



Drive Train

TRANSMISSION

Turn up a gear with us -
Light, precise and strong!



Our benchmarks for your
“Added Values“:



LIGHTER

Weight-optimized use of materials
through intelligent material distribution.



STRONGER

Improved component performance through
targeted control of material properties.



RESOURCE EFFICIENT

Avoidance of waste and complete
material usage through cold forming.



FASTER

Reduced production times and optimized
procedures through innovative processes.



MORE PRECISE

The greatest precision of complex
geometries through Felss technologies.

FELSS

The smarter way of forming.

THE FELSS GROUP

The Felss Group is your solution provider in the field of cold forming.

As a lightweight construction expert, we develop optimal solutions and processes for our customers - from development to the machine or even to the finished product in component manufacturing.

Worldwide at our locations in Germany, Switzerland, Slovakia, the USA and China, around 800 employees work together with our customers today to meet the challenges of tomorrow.

FELSS SYSTEMS

Optimal development of machines, manufacturing systems and processes.

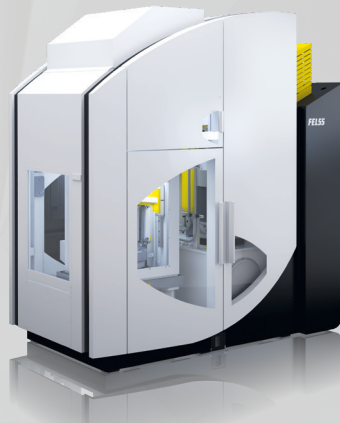
FELSS ROTAFORM

Component manufacturing by specialists, including large-scale production.

www.felss.com

FELSS GROUP GMBH
Dieselstrasse 2
D-75203 Koenigsbach-Stein

- + High degree of reliability with Felss components.
- + Your expert for lightweight design.
- + High-precision splining by cold forming.



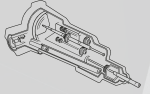
Are you interested in forming the future with us?

Then we look forward to your inquiry:

M: info@felss.com

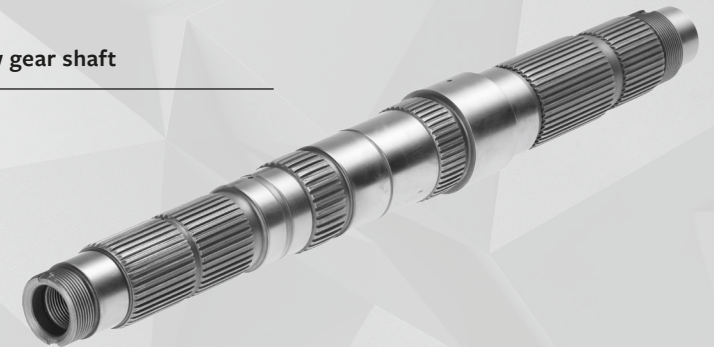
T: +49 7232 402-0

TRANSMISSION

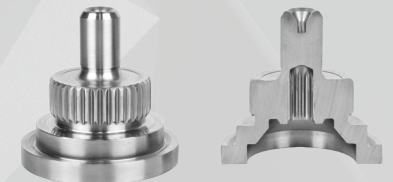


Our technologies combine thin wall thicknesses and high load capacity.

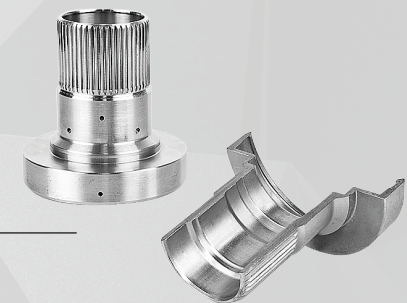
Hollow gear shaft



Input hub



Sun gear shaft



FELSS